

# eManager

## Quick Guide



Product Documentation

eManager	eManager-Pro
Support features of:	Support features of:
<ul style="list-style-type: none"> <li>• PVs</li> <li>• ESSs</li> <li>• Devices with dry contacts (such as heat pump)</li> </ul>	<ul style="list-style-type: none"> <li>• PVs</li> <li>• ESSs</li> <li>• Devices with dry contacts (such as heat pump)</li> <li>• RCR (for Germany)</li> <li>• DRM (for Australia)</li> </ul>

## SAFETY

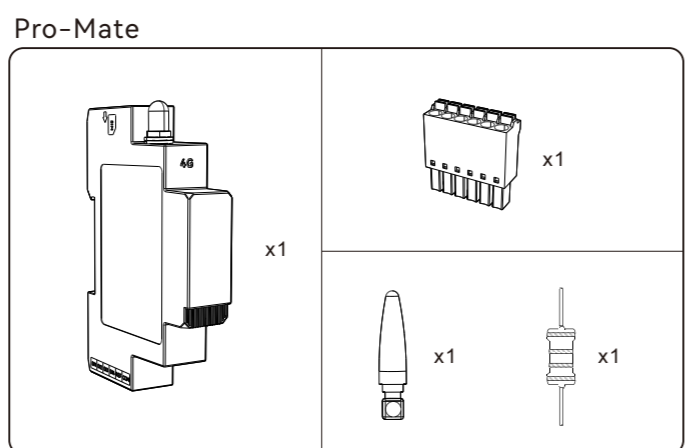
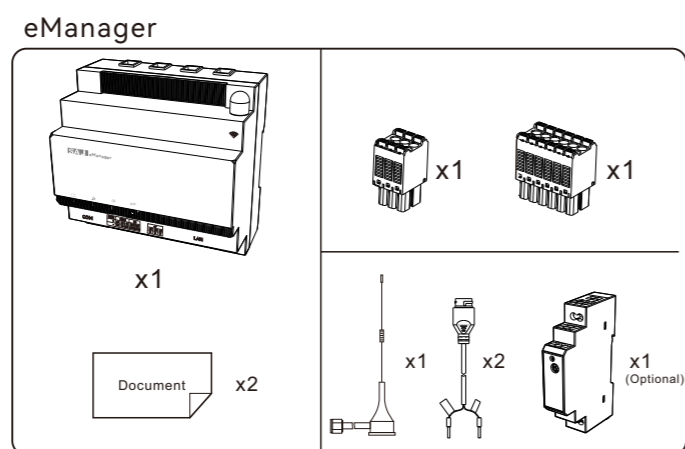
Before installing the equipment, read the product information and all the safety instructions in the user manual carefully and observe the appropriate rules and regulations of the country or region where you install the equipment.

**CAUTION:** ONLY qualified and trained electricians who have read and fully understood all safety regulations contained in this manual can install, maintain, and repair the equipment. Access to the equipment is secured by the means of a tool, lock and key, or others.

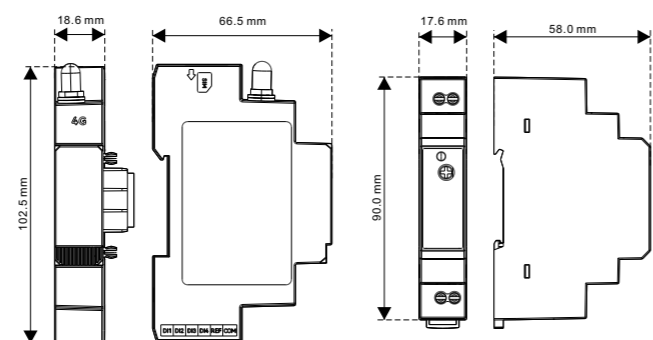
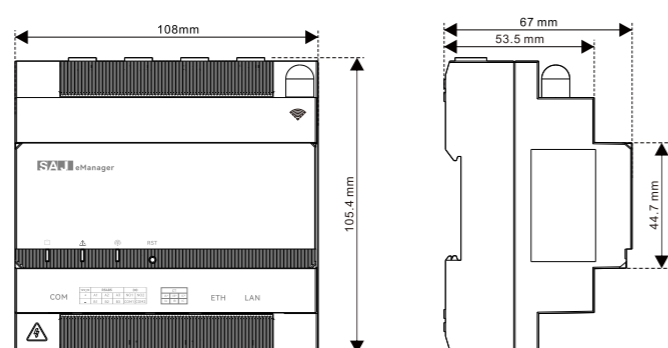
The product warranty does not cover equipment damage caused by failure to follow the installation and usage guidelines specified in this document and user manual.

You can scan the above QR code to view the user manual. The information in the product documentation is subject to change without notice.

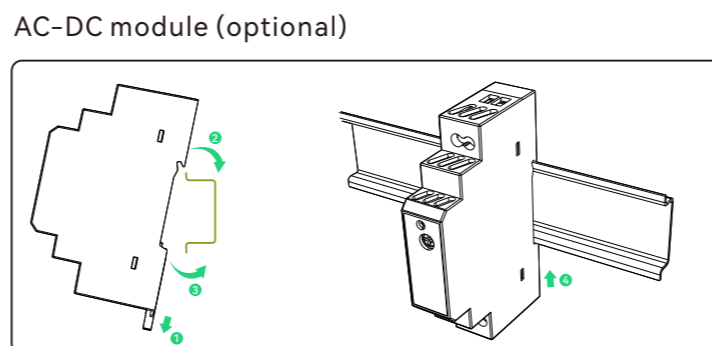
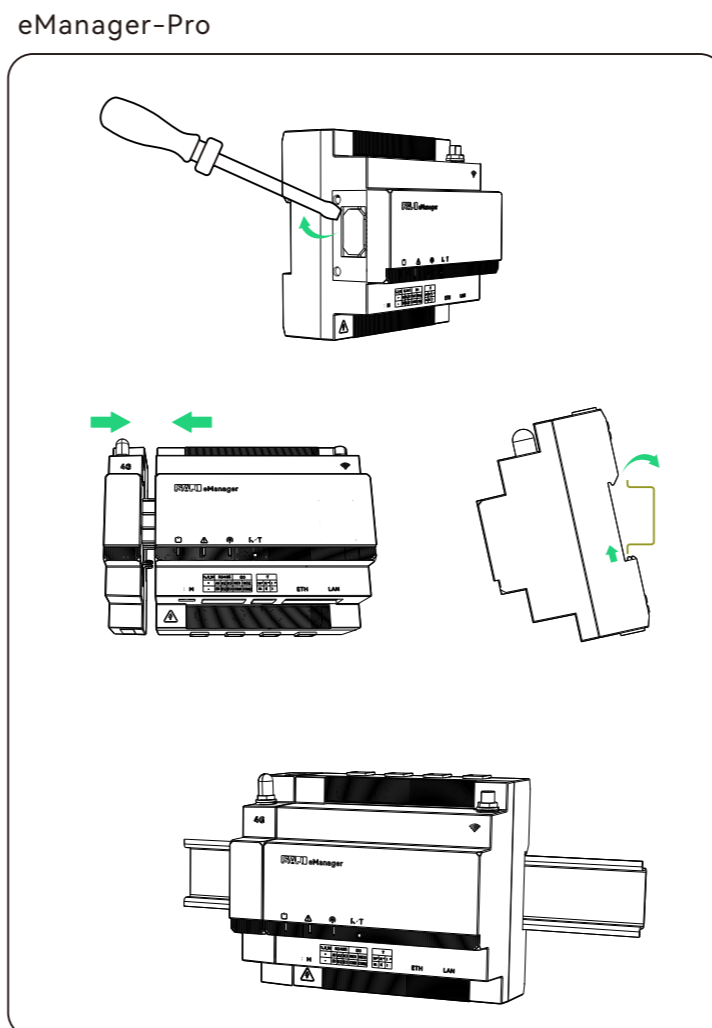
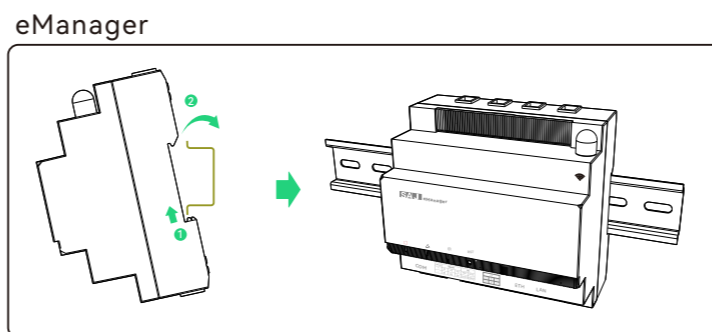
## 1 Package Contents



## 2 Dimension



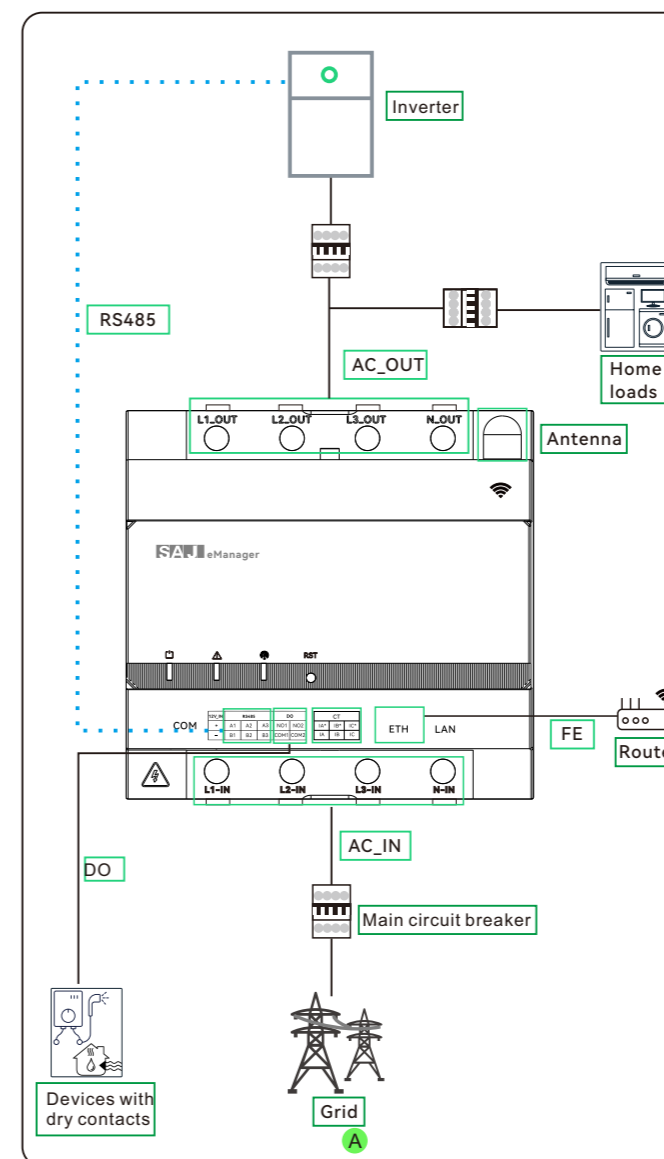
## 3 Installing the Equipment



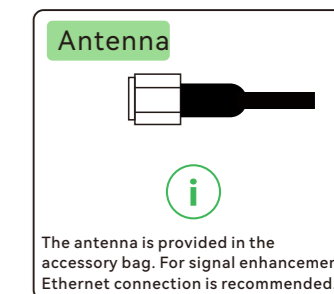
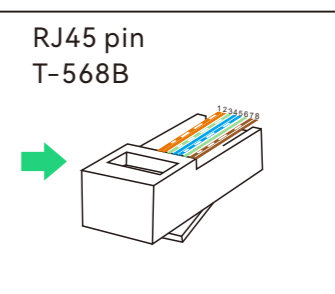
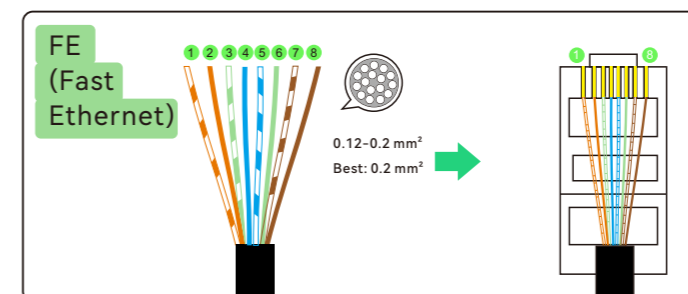
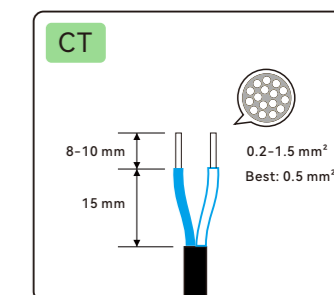
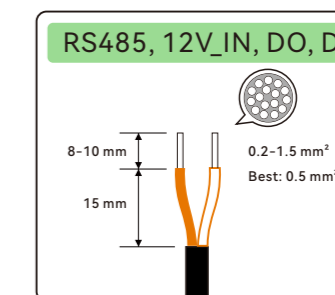
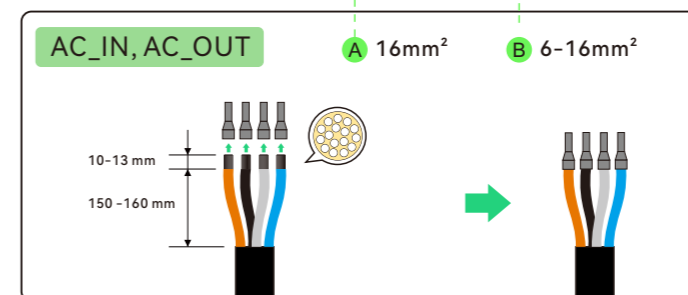
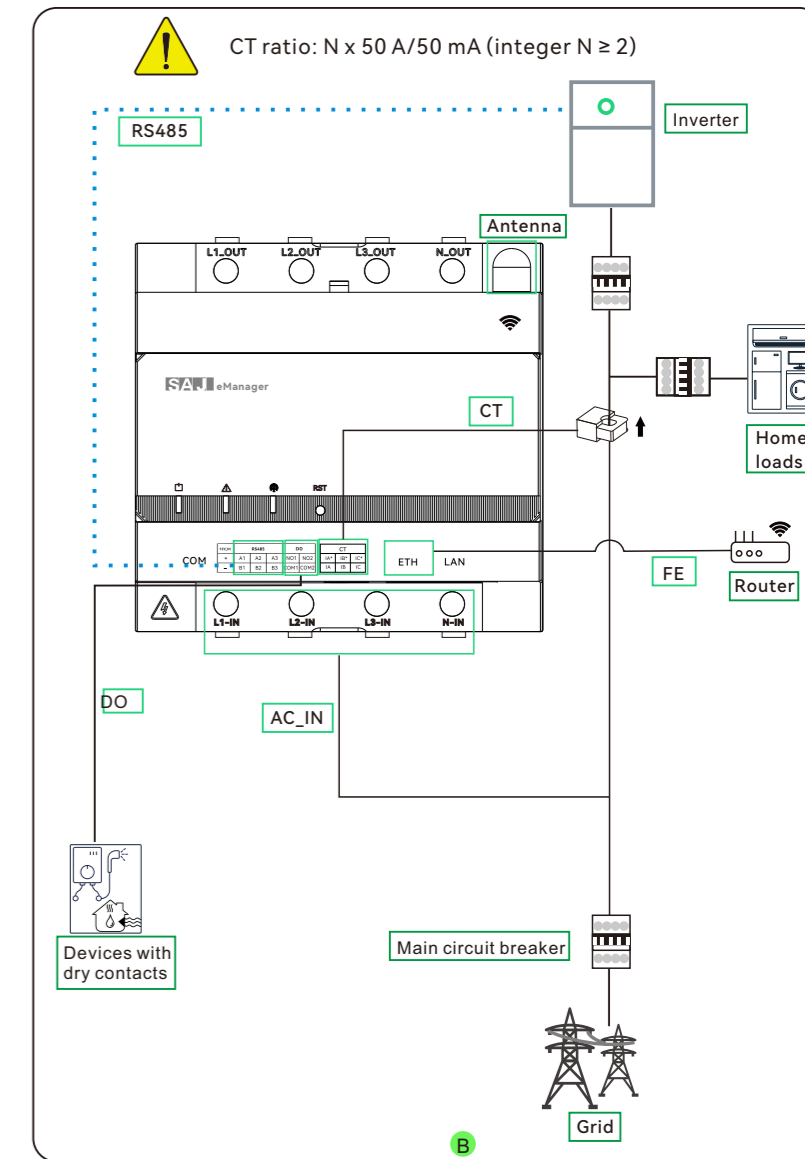
- Ensure that the AC distribution box has a surge protective device configured.
- Install the eManager, Pro-Mate module (optional), and AC-DC power supply module (optional) on the DIN 35-mm standard guide rails in the AC distribution box.
- Use a tool to lock the AC distribution box.

## 4 Preparing Cables

### Internal CT connection (current ≤ 63A)

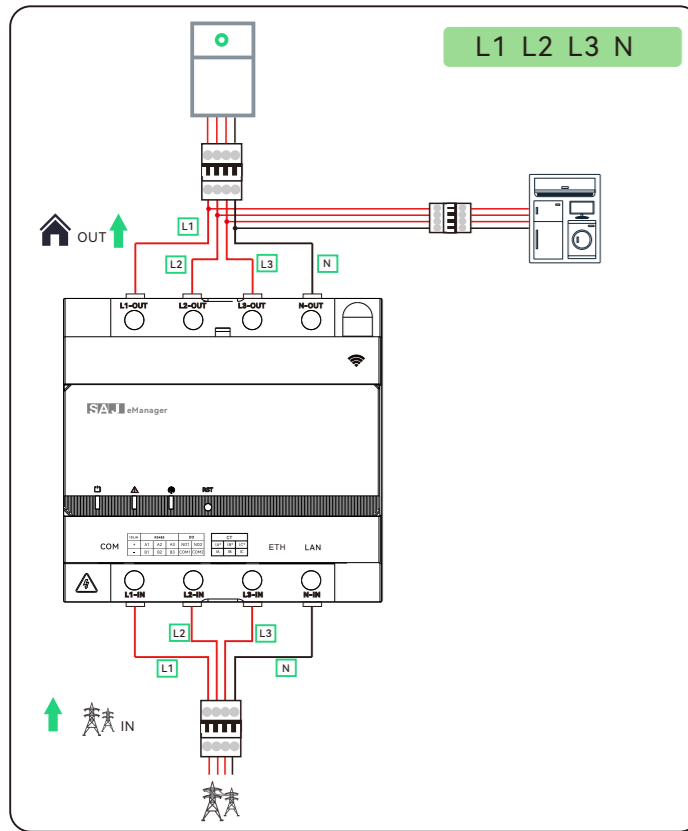


### External CT connection (current >63A)

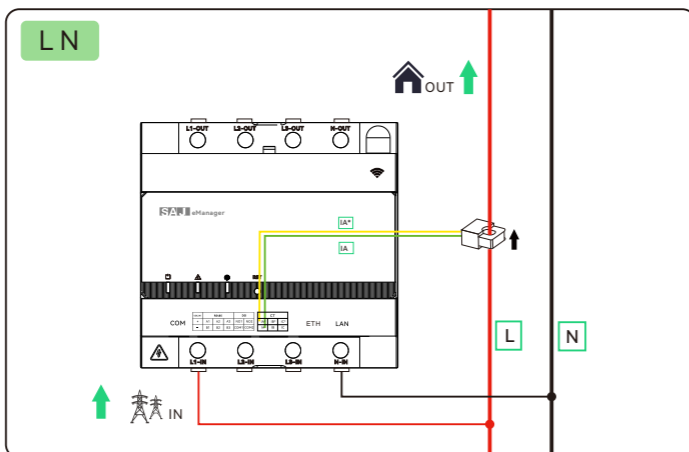
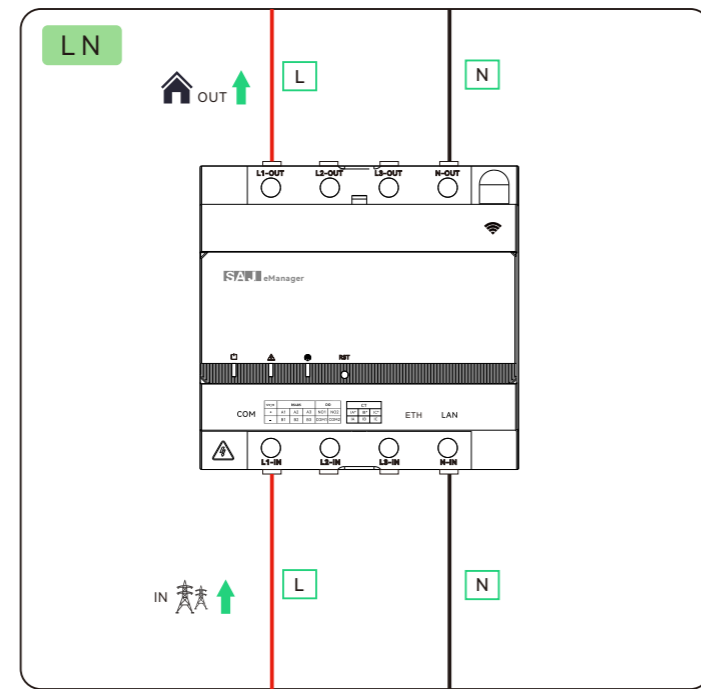
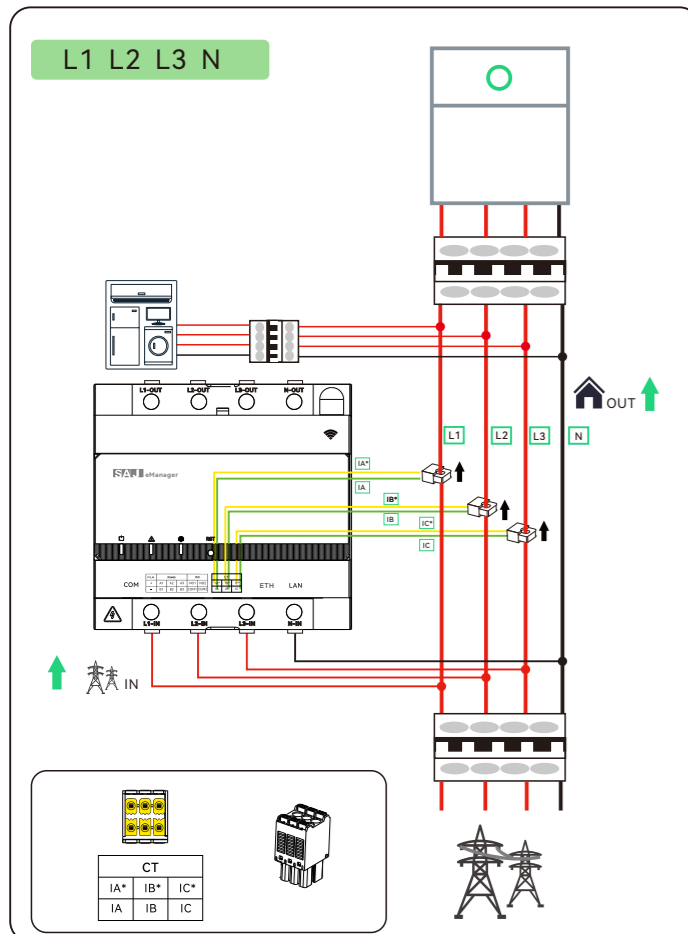


## 5 Connecting AC Power Cables

Internal CT connection (current ≤ 63A)

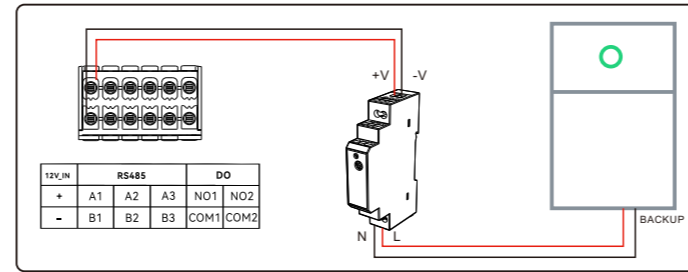


External CT connection (current > 63A)



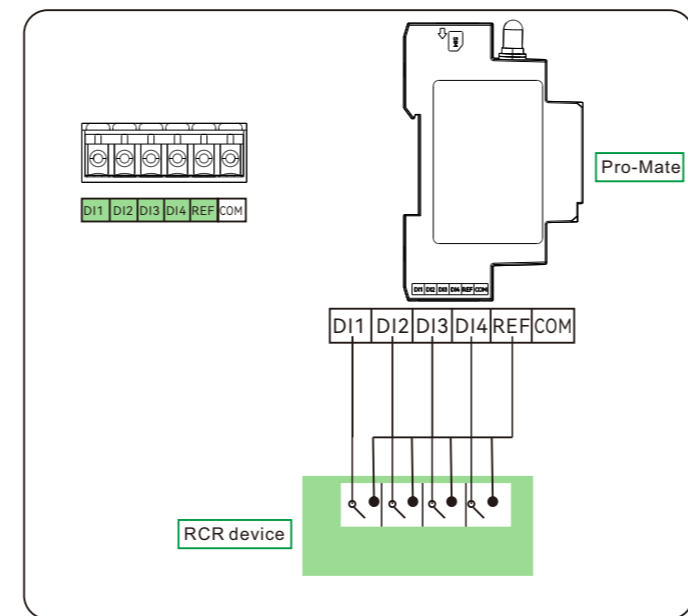
CT installation:  
The directional arrow is pointing to the loads.

## 6 Connecting Backup Power Cables

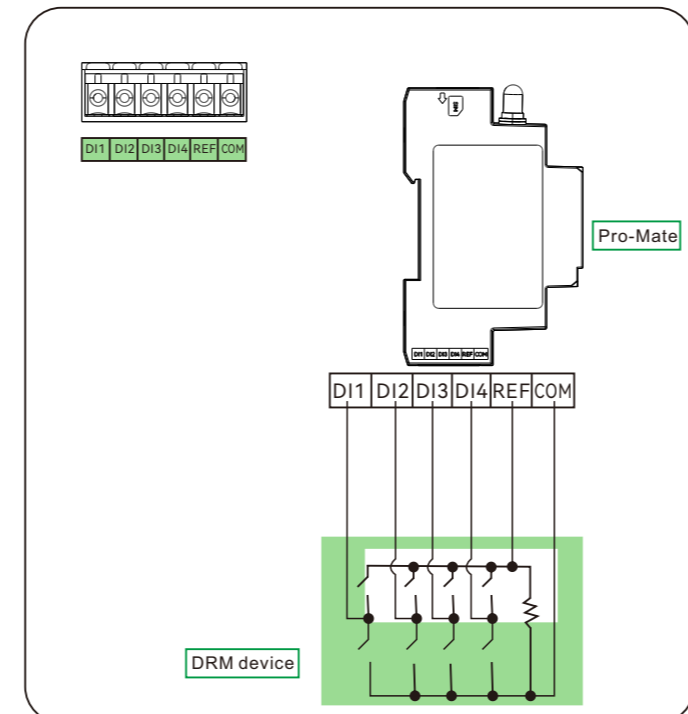


## 7 Connecting RCR or DRM Cables

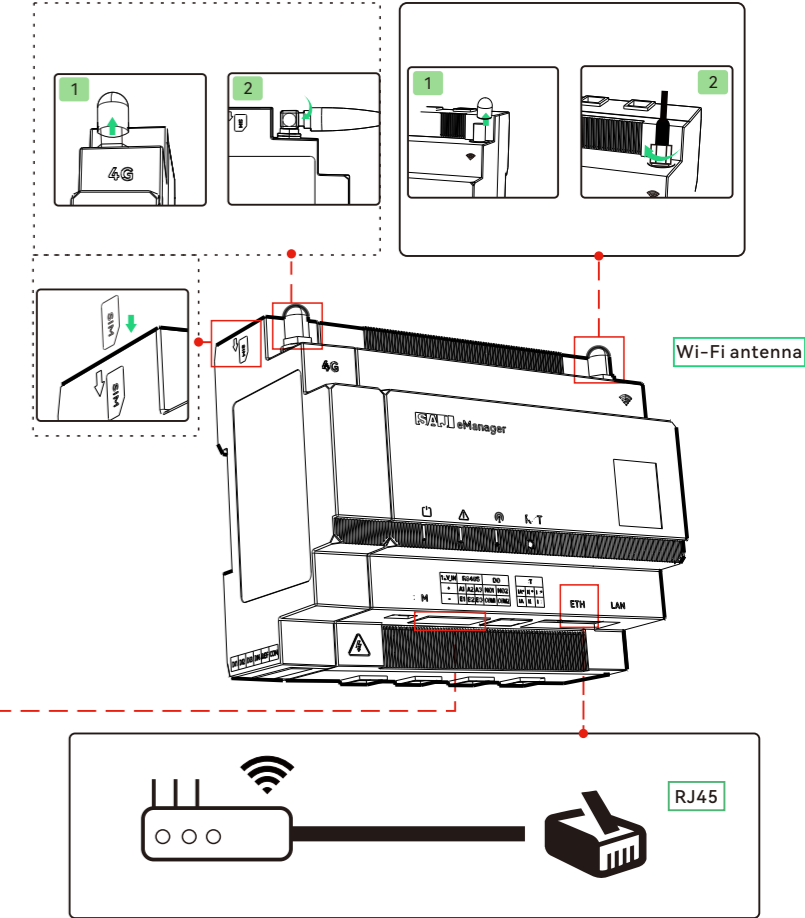
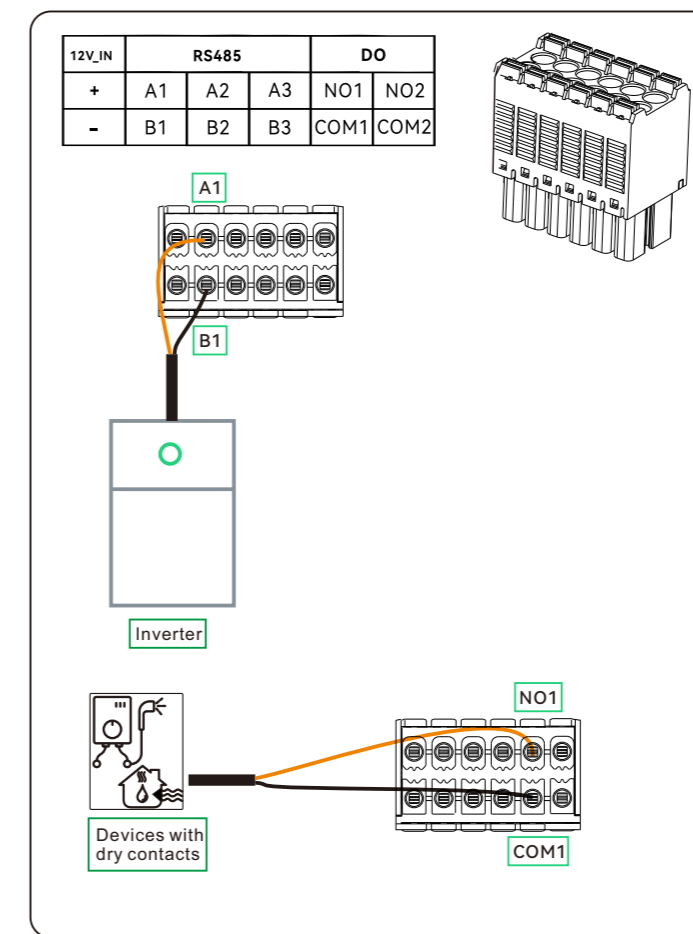
RCR cables (optional)



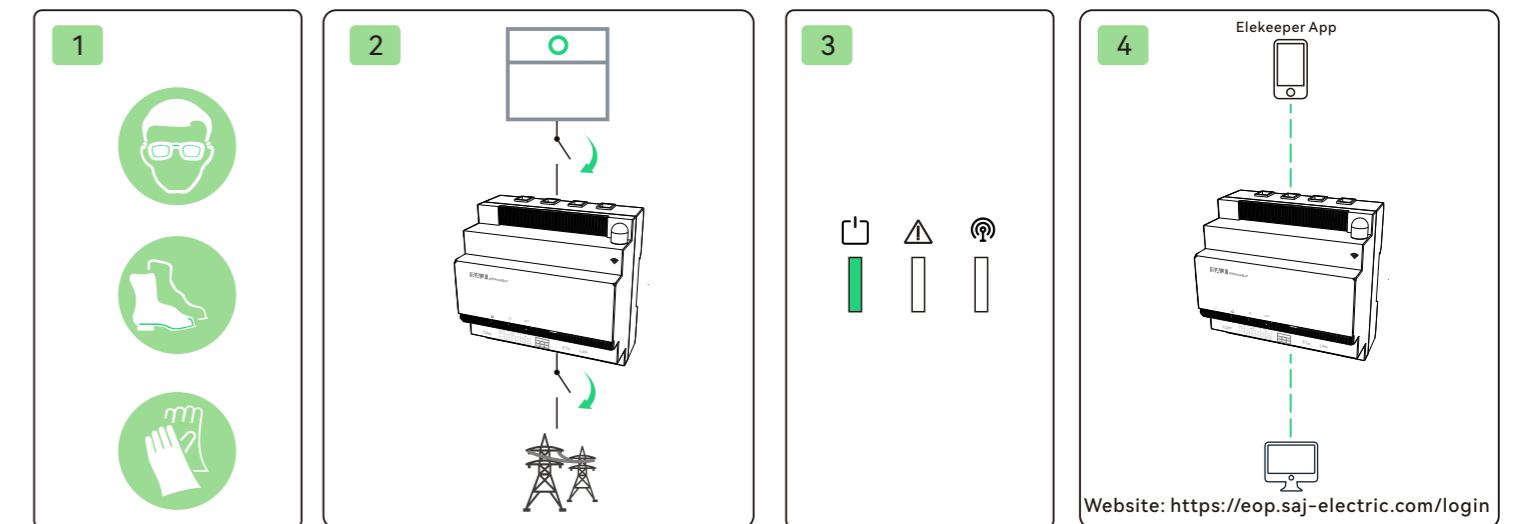
DRM cables (optional)



## 8 Connecting Signal Cables



## 9 Power-ON and Commissioning



**GUANGZHOU SANJING ELECTRIC CO.,LTD**

Address: SAJ Innovation Park, No.9, Lizhishan Road, Science City, Guangzhou High-tech Zone, Guangdong, P.R.China

Website: www.saj-electric.com